



# Simplus Strainer



## SIMPLUS STRAINER

A large capacity strainer, the Simplus is designed to have **large filtration area for high flow rates**. Units are for use in liquids and gas. The welded construction allows units to be designed for various applications with respect to flow, pressure, material and design code.

**SPX Process Equipment**

Plenty House, Hambridge Road, Newbury, Berkshire, RG14 5TR

Telephone +44 (0)1635 42363 Facsimile +44 (0)1635 49758 Email [filters.plenty@processequipment.spx.com](mailto:filters.plenty@processequipment.spx.com) [www.plentyfiltration.com](http://www.plentyfiltration.com)



# Simplus Strainer

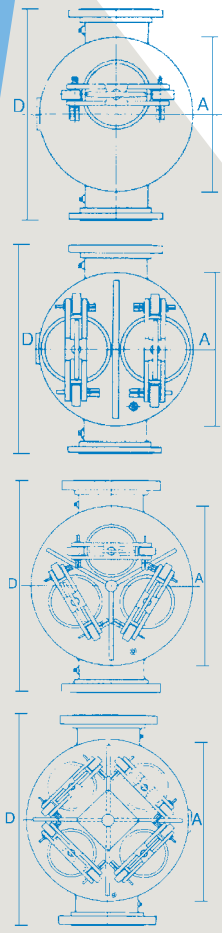


## STANDARD FEATURES & BENEFITS

- Quick release covers eliminate the need for tools for maintenance
- Flow is from inside the basket to outside to trap and retain all debris
- High basket area to pipeline C.S.A. ratio of over 16:1 in most cases
- Supplied with coarse perforated baskets (2mm as standard) or fine stainless steel mesh inserts to give particle removal down to 50 microns
- Disposable depth type cartridges are available for filtration to 5-10 micron on liquid and 1-2 micron on gases
- Cast steel and stainless steel, all fitted with cleanable baskets and inserts or disposable gas cartridges as required

## OPTIONS

- Complying with current Transco specifications
- Can be supplied complying with PD5500 or ASME VIII design codes
- Pleated baskets for high filtration areas
- Reinforced baskets for withstanding high differential pressures
- Magnetic element assemblies
- Flanged connection for drain, vent and ancillary connections
- Steam, hot water or hot oil jackets
- Supplied with ancillary equipment such as DP gauges and switches, air release heads, valves for vent and drains etc
- Available in stainless steel or special alloys



## DIMENSIONS - SINGLE BASKET

**Branches:** 6", 8", 10" and 12" bore

### WORKING PRESSURES

Standard: up to 18.9 BARG at 38°C

Special Applications: up to 49.6 BARG at 38°C

A	22 1/4"	558mm
B	38"	965mm
C	25 1/4"	640mm
D	36"	914mm
E	36"	914mm

**WEIGHT** up to 1190lbs (540kgs)

## DIMENSIONS - TWO BASKET

**Branches:** 8", 10", 12", 14" and 16" bore

### WORKING PRESSURES

Standard: up to 18.97 BARG at 38°C

Special Applications: up to 34.4 BARG at 38°C

A	32 1/4"	813mm
B	33"	838mm
C	25 1/4"	646mm
D	42"	1066mm
E	30 1/4"	795mm

**WEIGHT** up to 2600lbs (1180kgs)

## DIMENSIONS - THREE BASKET

**Branches:** 12", 14", 16" and 18" bore

### WORKING PRESSURES

Standard: up to 18.97 BARG at 38°C

Special Applications: up to 34.4 BARG at 38°C

A	42 1/4"	1066mm
B	33"	838mm
C	29 1/4"	743mm
D	60"	1524mm
E	31 1/2"	800mm

**WEIGHT** up to 4115lbs (1870kgs)

## DIMENSIONS - FOUR BASKET

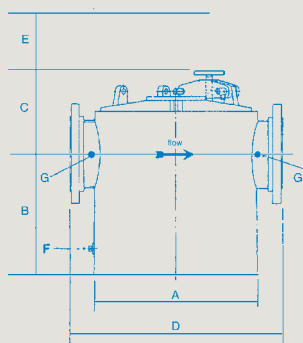
**Branches:** 14", 16", 18", 20" and 24" bore

### WORKING PRESSURES

Standard: up to 18.97 BARG at 38°C

A	46 1/4"	1168mm
B	33"	838mm
C	32 1/4"	819mm
D	60"	1524mm
E	36 5/8"	930mm

**WEIGHT** up to 4990lbs (2270kgs)



Plenty House, Hambridge Road, Newbury, Berkshire, RG14 5TR

Telephone +44 (0)1635 42363 Facsimile +44 (0)1635 49758 Email [filters.plenty@processequipment.spx.com](mailto:filters.plenty@processequipment.spx.com) [www.plentyfiltration.com](http://www.plentyfiltration.com)

Our policy is one of continuous improvement and we reserve the right to alter any details of our products at any time without prior notice. Plenty is a division of SPX Process Equipment. All dimensions are for guidance only, please contact Head Office for confirmation.